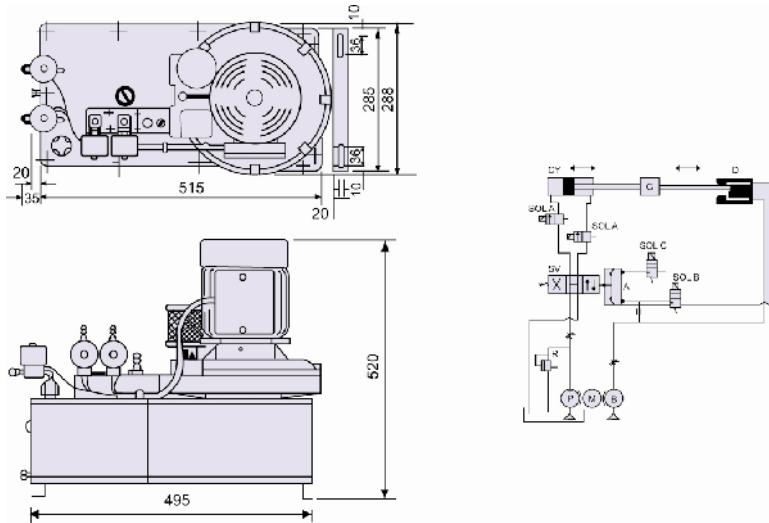
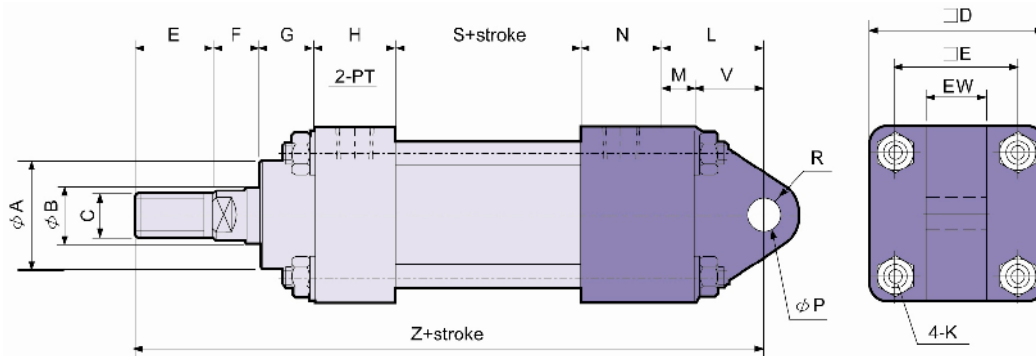


The specification base the same as HC-2A but several features as below:

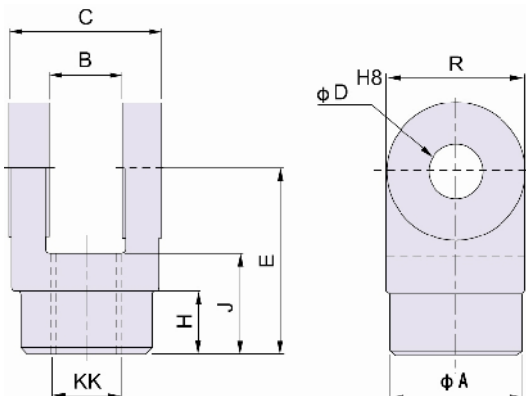
1. Temperature does not rise easily
2. The air not easy block because of direct air connection, which bring strong air to blow away of dust and wadding on sensor.



CYLINDER DIMENSION:



| SIZE BORE | A | B | C | D | DE | E | F | G | H | N | L | M | V | P | R | EW | K | S | Z | PT |
|--------------|----|----|----------|----|----|----|----|----|----|----|----|----|----|----|----|----|-----------|----|-----|-----|
| 40 | 40 | 20 | M16XP1.5 | 64 | 45 | 28 | 17 | 20 | 30 | 30 | 36 | 11 | 25 | 12 | 13 | 22 | M8XP1.25 | 50 | 211 | 3/8 |
| 50 | 45 | 20 | M16XP1.5 | 70 | 50 | 28 | 17 | 20 | 30 | 28 | 36 | 12 | 24 | 12 | 13 | 22 | M10XP1.25 | 50 | 209 | 3/8 |



| KK | A | B | C | D | E | J | H | R |
|----------|----|----|----|----|----|----|----|----|
| M14XP1.5 | 26 | 16 | 44 | 12 | 56 | 20 | 21 | 14 |
| M16XP1.5 | 26 | 16 | 44 | 12 | 56 | 20 | 21 | 14 |